

CLOSETTE

Hall-hung wc for shower toilet seats

This hall-hung bowl has been specifically designed for shower toilet seats. It allows the integration of both water supply and electrical socket inside the bowl to preserve the advantages of wall-hung toilets. It is compatible with most shower toilets on the market, including the comfortable elongated versions.



design by Le Trône

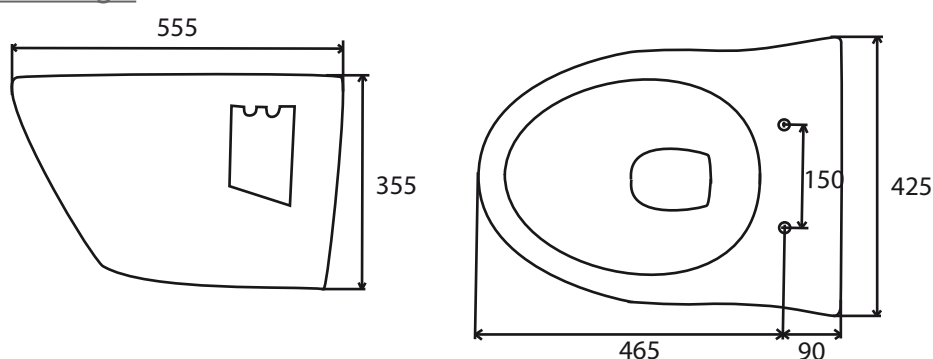
Integration of water and electrical supplies



Characteristics:

- Integration of water supply & hose,
- Integration of electrical socket & cable,
- Compatible with both elongated & round sizes of shower toilet seats,
- 100% white ceramic material,
- Compliant with EN997 (CE)
- Dimensions: 555x425x355
- Ref. LTR50

Drawings:



Easy access for maintenance/cleaning



Exemples of compatible shower toilet seats: (list non limitative)

- AquaClean serie, 4000, 5000, 5000 Plus
- DIB serie, 1500, 1500R (Elongated & Round)
- Washlet SG (Elongated only)

For further information: www.closette.eu